

JX Crystals Inc
SunTrack-CarouselTM

1.4 times more kWh per kW
for lower cost electricity.



JX Crystals

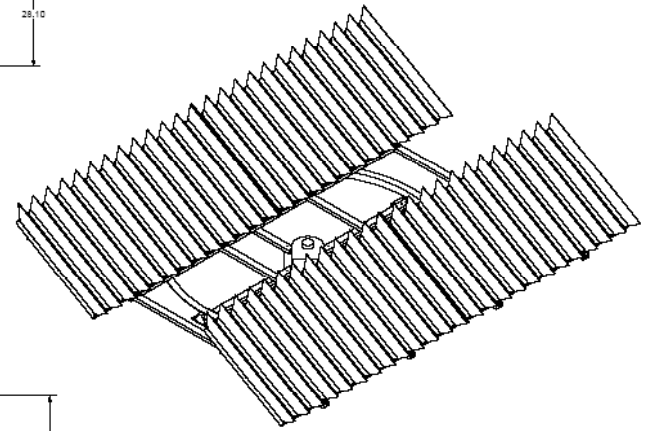
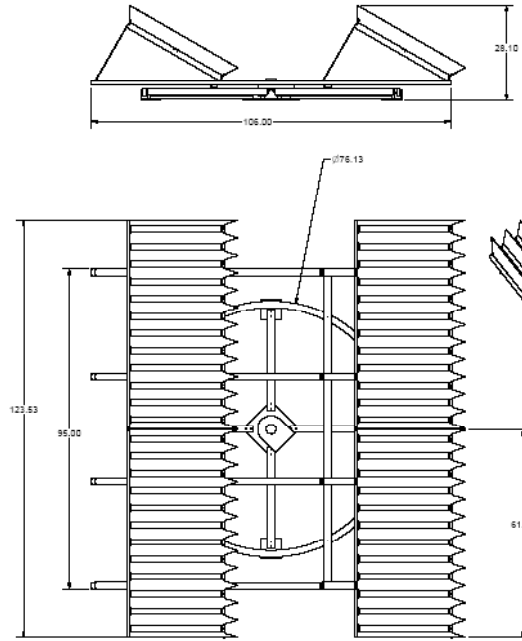
832 Watt Carousel Tracker

Made in Washington

JX Crystals, Inc. 1105 12th Ave. N.W. Ste A2 Issaquah WA 98027 T 425.392.5237 Fax 425.392.7303

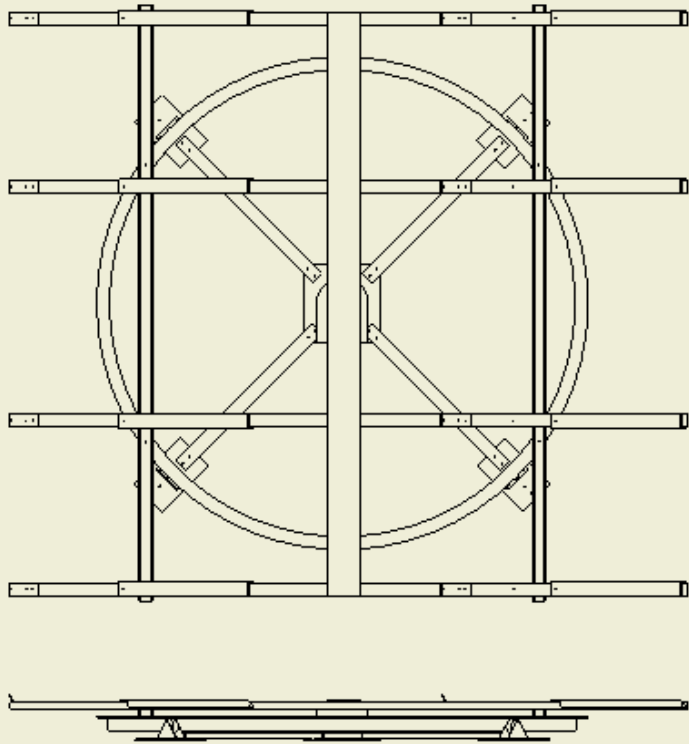
JX Crystals Sun Tracking Carousel for Building Flat Roofs

- 800 W
- Low wind resistance
- Fits in 8 ft container
- Low Cost Installation
- 1.4 x more kWh/kW
- No roof penetration



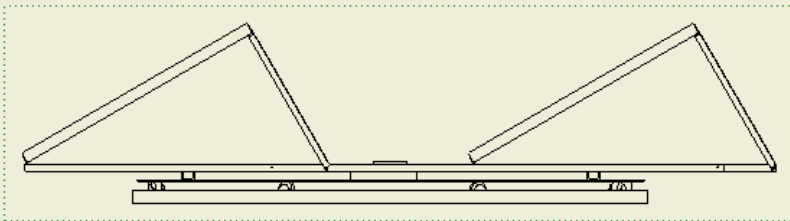
JX Crystals Inc
Carousel with 3-Sun Mirror Panels
700 W (STC)



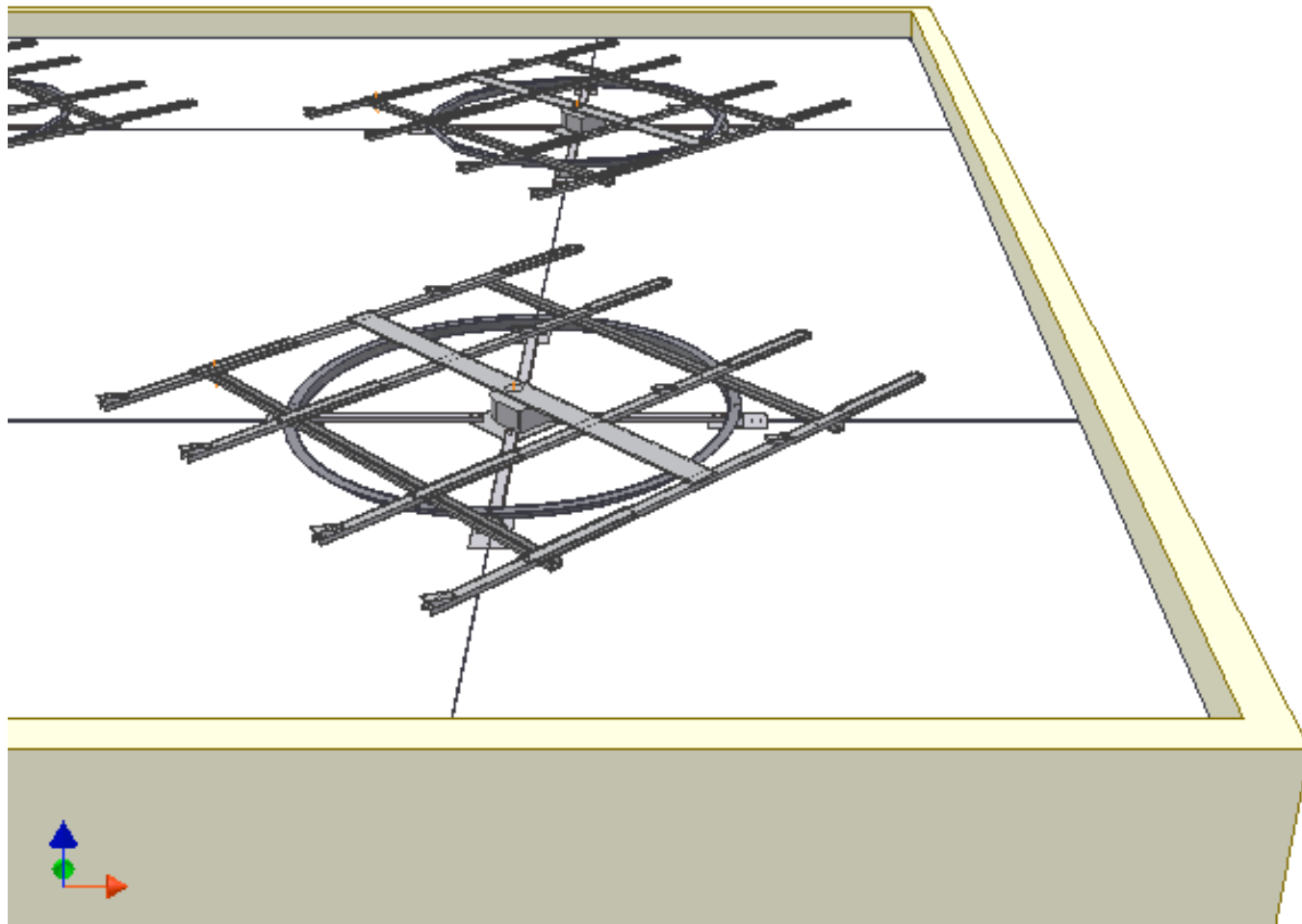


JX Crystals Inc
Prefabricated
SunTrack Carousel

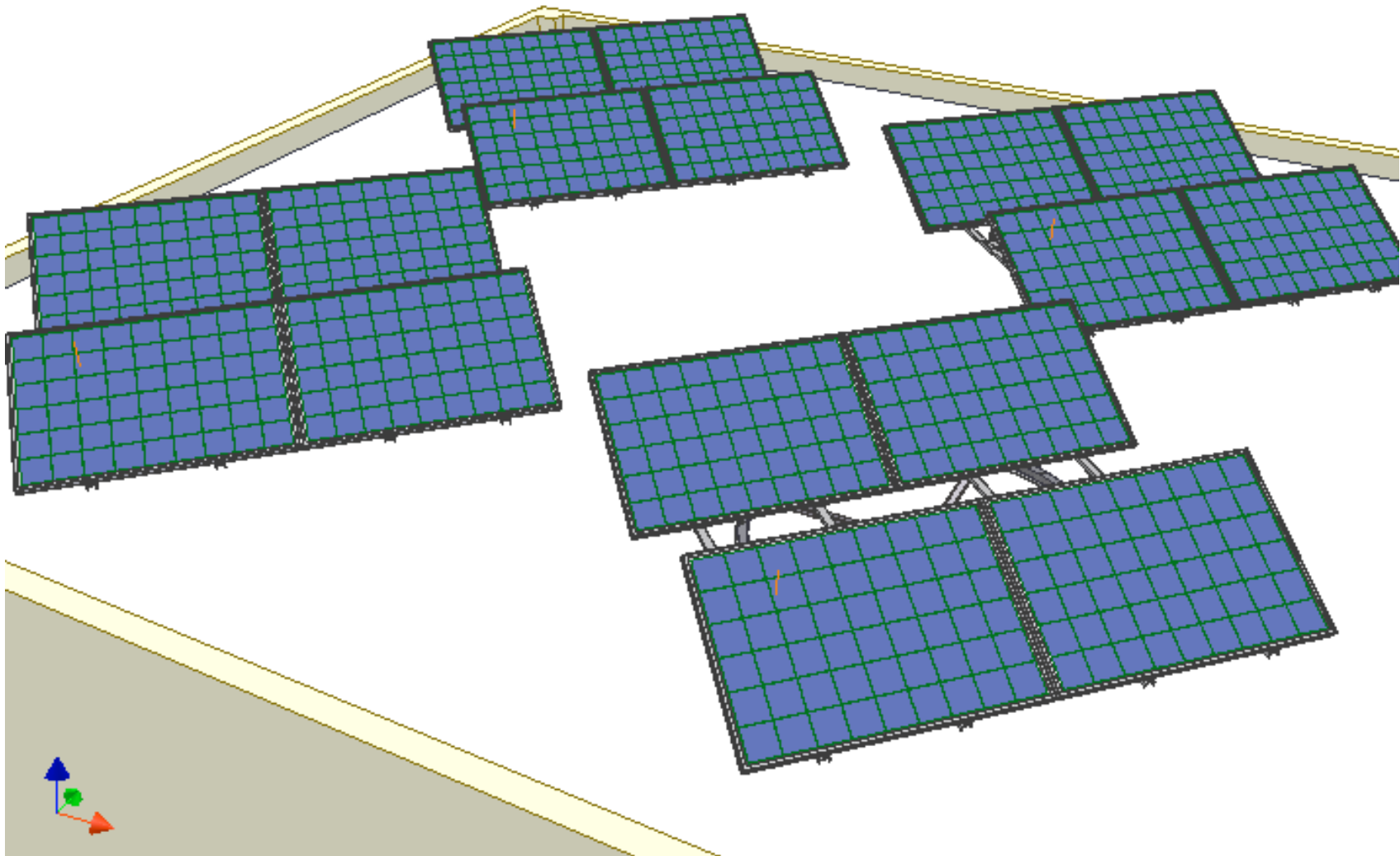
Fits in shipping
container folded down
And unfolds for
PV panel installation



JX Crystals Inc Prefab SunTrack Carousels on building roof top.



JX Crystals Inc
3.2 kW Installation with four 800 W Carousels



JX Crystals SunTrack Carousels with 3-Sun panels Arrayed on Commercial Building Flat Rooftop (Concept with PhotoShop)



JX Crystals Inc
SunTrack™ Carousels
Works for any parking lot orientation
Lewis Fraas

